

---

# BuzziShade 120V

## Product Specification Sheet

---

This document contains technical information about the BuzziShade pendant and standing

---



[www.buzzi.space](http://www.buzzi.space)













## The BuzziShade combines lit surroundings with acoustic performance.

The design prevents eavesdroppers from hearing your private conversations, and reduces external noise levels to a minimum. The BuzziShade is extremely versatile. The perfect addition to any office, waiting room or restaurant and is ideal for large-scale events. Be creative in color by adding a layer of fabric to the BuzziFelt shades. The BuzziShade is the culmination of an artistic collaboration between BuzziSpace and the four young Belgian furniture designers of Stal Collectief.

Designed by Stal Collectief

---

## General

-  Pendant | Standing
-  BuzziFelt cover
-  Powder coated metal frame & metal ceiling canopy
-  Fabric power cord
-  Metal cable set
-  120V 60Hz
-  E26 fitting
-  Max. 100W incandescent | Max. 20W LED
-  Dry usage
-  Assembled

---

## Certifications

BuzziShade Pendant: cULus Listed - E475254  
BuzziShade Standing: Not cULus listed

---

## Acoustics



Absorption

---

## Content

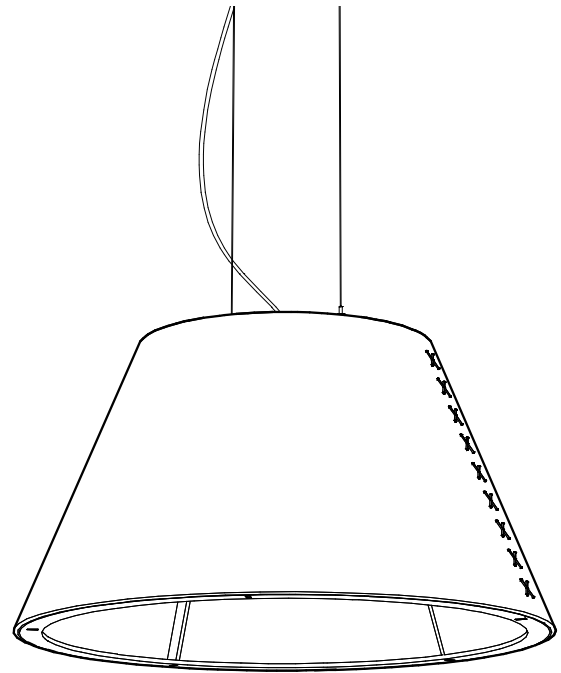
Configurations	3
Technical components	4
Fabrics	6
Dimensions	8
Acoustics	11

# Configurations

---

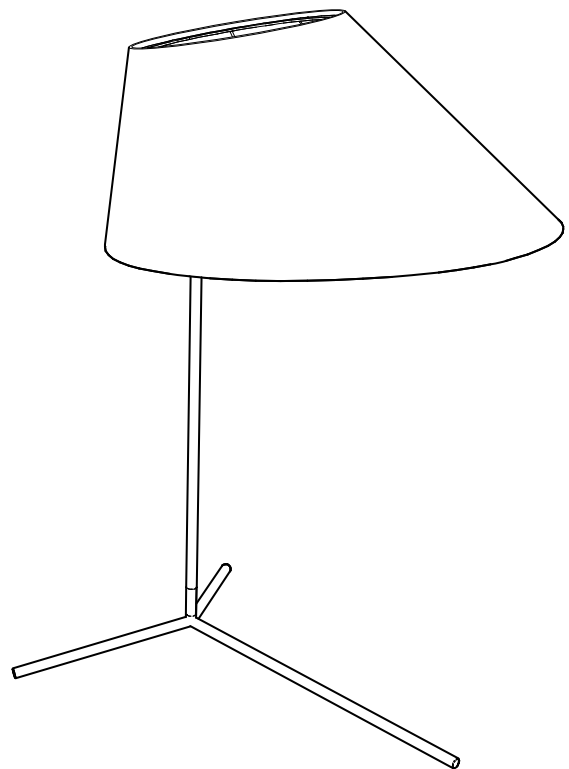
## BuzziShade Pendant

- ◆ Medium | Large
  - BuzziFelt cover with lace
  - Metal frame in black, white, aluminium or fluorescent orange
- 🌲 Black metal ceiling canopy
  - Metal cable set in silver or black
  - Fabric power cord in black or red
- ✂ Height: 16.54" (Medium) or 24.41" (Large)
  - Diameter: Ø 15.75" - Ø 29.13" (Medium)
  - Ø 23.23" - Ø 44.09" (Large)
- ⚖ Medium: 8.82 lbs
  - Large: 17.64 lbs
- ⋯ Lace: Black | White | Fluorescent orange
  - Optional extra layer Fabric | Terra | Hero
  - Cable set: 78.74" | 196.85", Silver | Black
- ⚠ If installing on suspended ceiling, verify load capacity prior to installation.



## BuzziShade Standing

- 🌲 BuzziFelt cover with lace
  - Metal frame in black, white or fluorescent orange
  - Fabric power cord in black or red
  - Black footswitch
- ✂ Height: 87.40"
  - Diameter: Ø 27.17" - Ø 56.69"
- ⚖ 39.68 lbs
- ⋯ Lace: Black | White | Fluorescent orange



# Technical components

---

## BuzziShade pendant

### Ceiling canopy

Metal ceiling canopy in black (RAL 9005)  
or white (RAL 9010)  
Including mounting hardware suitable for a 4" outlet box.  
Height: 0.79"  
Diameter: 6.10"



### Frame

Metal frame available in following colors:  
Powder coated white | RAL 9010  
Powder coated black | RAL 9005  
Fluorescent orange | RAL 2005  
Aluminium | not powder coated



### Fitting | Power cord

Black bakelite fitting E26  
Fabric power cord (2x 18AWG | SVT)

Color frame	Color fabric power cord	Color ceiling canopy
Black	Black	Black
White	Red	White
Fluorescent orange	Black	Black
Aluminium	Black	Black



---

# BuzziShade standing

## Frame

Metal frame available in following colors:

Powder coated white | RAL 9010

Powder coated black | RAL 9005

Fluorescent orange | RAL 2005



## Fitting | Power cord

Black bakelite fitting E26

Fabric power cord (2x 18AWG | SVT)

<b>Color frame</b>	<b>Color fabric power cord</b>
Black	Black
White	Red
Fluorescent orange	Black

Power cord has a length of 98.43" finished with a plug and footswitch.

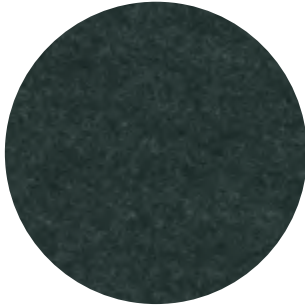
## Powerswitch

Black footswitch

# Fabrics

---

## Felt



**Composition** 100% Recycled P.E.T. Felt, latex backing  
**Weight** 1.000 g/m<sup>2</sup> | 29.49 oz/yd<sup>2</sup>  
**Abrasion resistance** >7.000 Martindale  
**Flammability** EU: EN 13501.1 + A1/2009 Class B-s1,d0  
USA: ASTM E84 Class A certified  
**Fastness to light** USA 5



## Fabric



**Category** A  
**Composition** 70% Recycled Wool, 25% Recycled Polyacryl,  
5% Recycled Other Fabrics  
**Weight** 405 g/m<sup>2</sup> | 11.94 oz/yd<sup>2</sup>  
**Abrasion resistance** 40.000 Martindale, 50,000 Wyzenbeek  
**Flammability** EU: EN 1021.1/2006 | BS EN 1021.1/2006 (cigarette).  
EN 1021.2/2006 | BS EN 1021.2/2006 (match)  
USA: CAL TB 117 | ASTM E84 CLASS A  
**Fastness to light** EU 4 | USA 4  
**Fastness to rubbing** EU: Wet 3-4 | Dry 4-5  
**Fastness to crocking** USA: Wet 5 | Dry 5



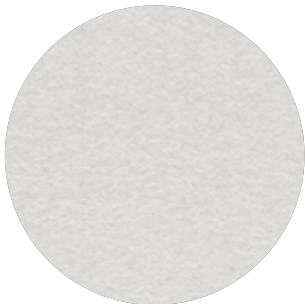
## Terra



**Category** B  
**Composition** 100% Pure New Wool  
**Weight** 370 g/m<sup>2</sup> | 10.91 oz/yd<sup>2</sup>  
**Abrasion resistance** 40.000 Martindale, 25,000 Wyzenbeek  
**Flammability** EU: BS5852 CRIB 5 | BS5867 PART 2 : 2008 : TYPE B  
EN 1021.2/2006 | USA: CAL TB 117  
**Fastness to light** EU 5 | USA 5  
**Fastness to rubbing** EU: Wet 4 | Dry 4  
**Fastness to crocking** USA: Wet 4 | Dry 4



## Hero



**Category** C  
**Composition** 96% new wool, 4% nylon  
**Weight** 580 g/lin.m  
**Abrasion resistance** 45.000 Martindale rubs, EN ISO 12947  
**Flammability** EN 1021-1/2 | DIN 4102 B2 | NF D 60 013  
UNI 9175 1IM | US Cal. Bull. 117-2013 | NFPA 260  
IMO A.652 (16)  
**Fastness to light** Note 5-6, ISO 105-B02  
**Fastness to rubbing** (ISO) dry 4-5, wet 4-5  
**Pilling** Note 3-4, EN ISO 12945



kvadrat

---

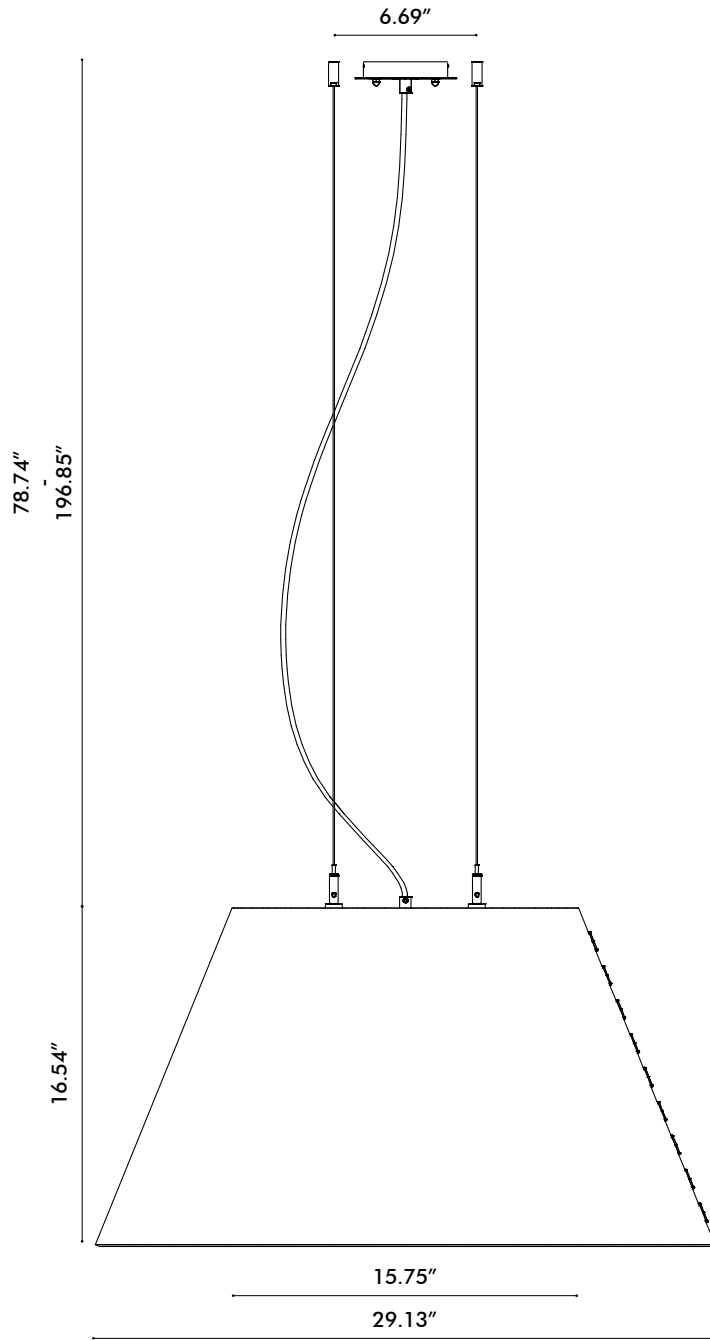
## Lace

Lace black | white | fluorescent orange



# Dimensions

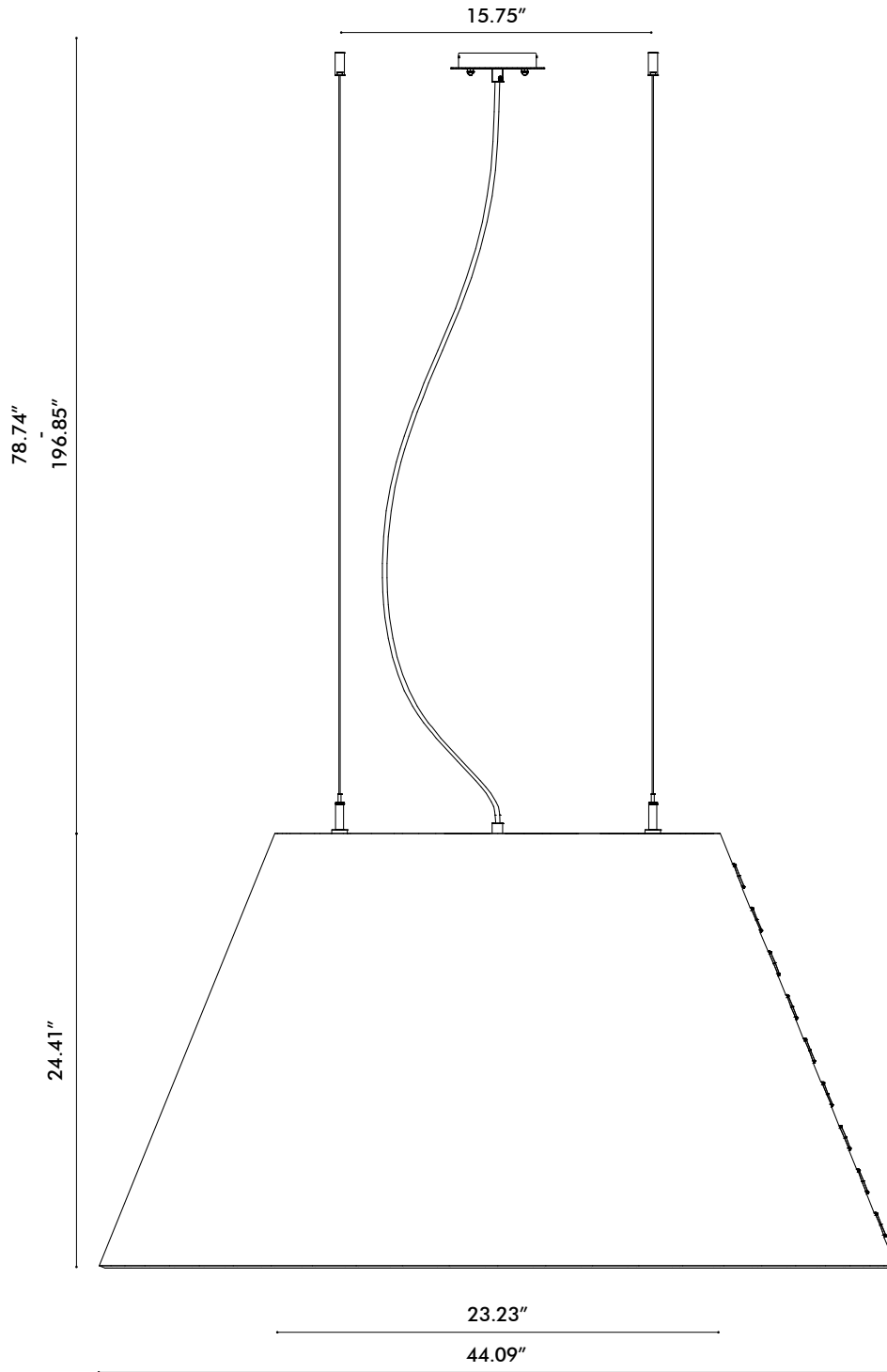
## BuzziShade Pendant Medium



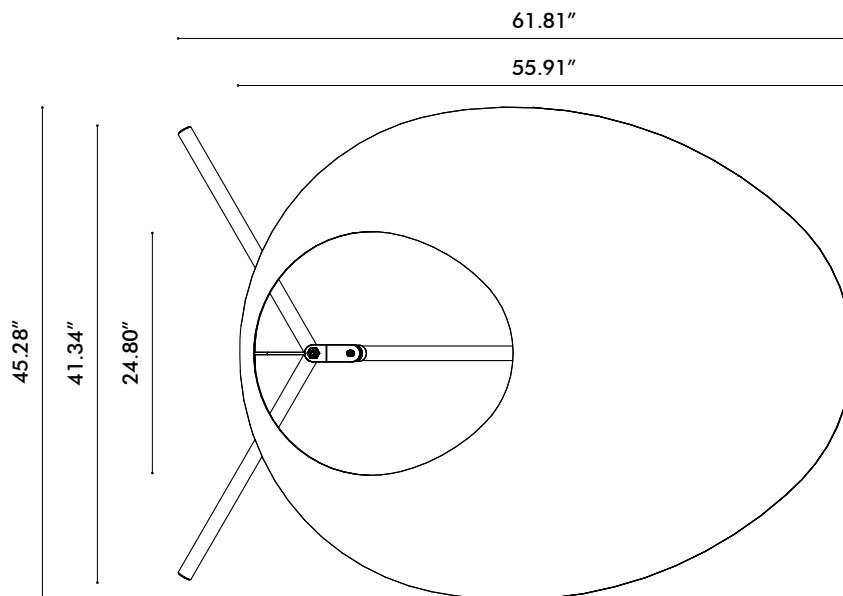
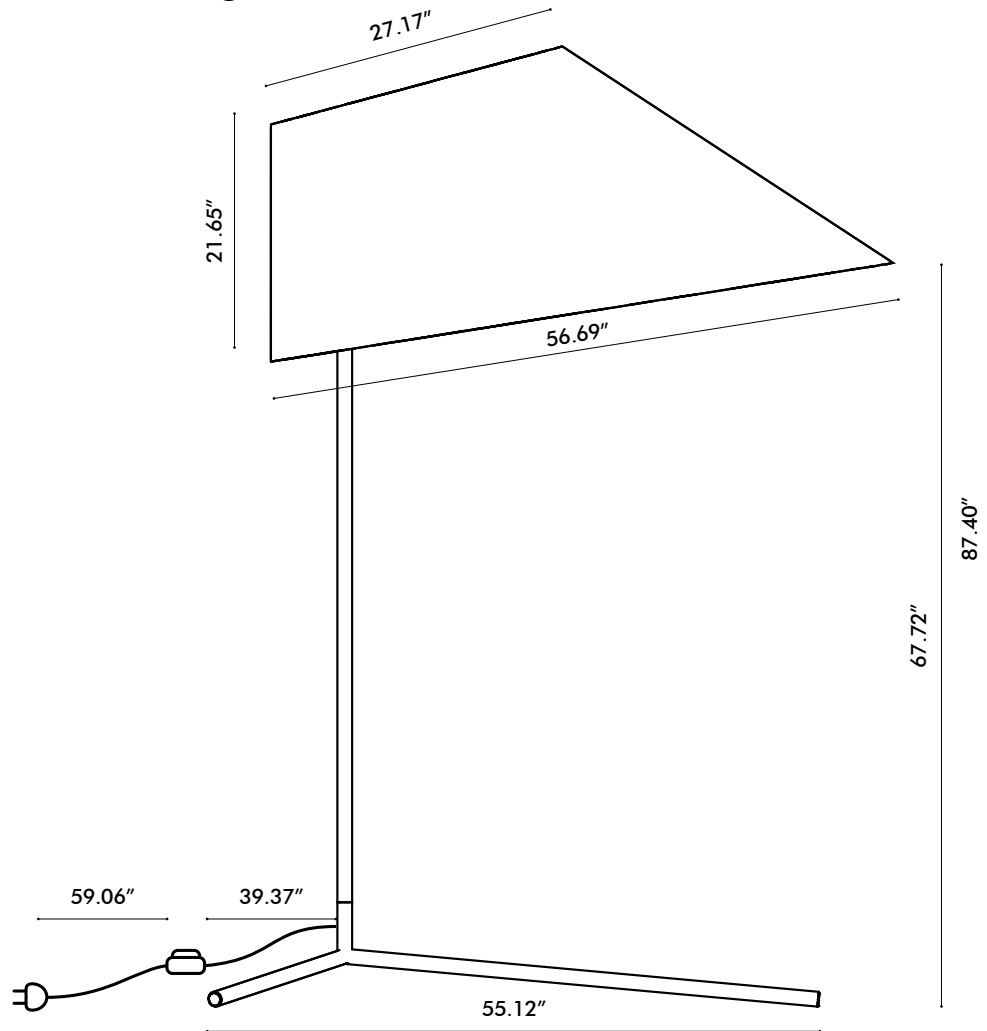


---

# BuzziShade Pendant Large



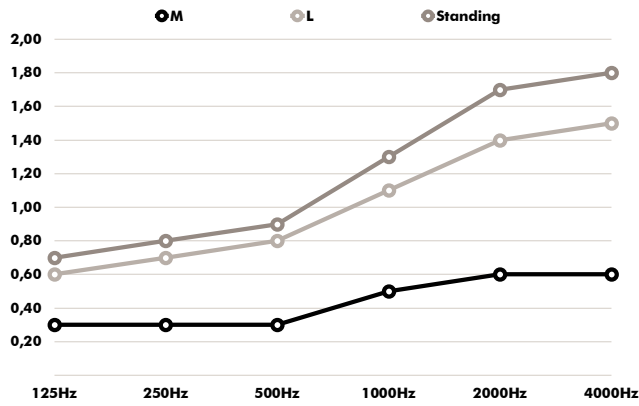
# BuzziShade Standing



# Acoustics

## BuzziShade

Equivalent sound absorption area in m<sup>2</sup> per object



Hz	Shade M Aeq/m <sup>2</sup>	Shade L Aeq/m <sup>2</sup>	Shade Standing Aeq/m <sup>2</sup>
125	0.3	0.6	0.7
250	0.3	0.7	0.8
500	0.3	0.8	0.9
1000	0.5	1.1	1.3
2000	0.6	1.4	1.7
4000	0.6	1.5	1.8