

---

# BuzziBooth

## Product Specification Sheet

---

This document contains technical information about the BuzziBooth

---



[www.buzzi.space](http://www.buzzi.space)

## Upholstered temporary workstation

There has been a big shift toward working in open-plan offices that have a loft-like feeling of home. While there are many benefits, the challenge is maintaining space to make a phone call or work quietly and independently. Designer Alain Gilles' solution is the BuzziBooth: a phonebooth made of sound absorbing felt that dampens outside sounds. Now you can have a moment alone even in the noisiest of surroundings. Micro-architecture for maxi spaces!

Design by Alian Gilles

## General

-  BuzziBooth Single | BuzziBooth Side by Side | BuzziBooth Standing | BuzziBooth Targa
-  Pattern: Inside: 3D Rib | Diamond  
Outside: Flat
-  Structure: Poplar plywood: 18 mm | 0.71"  
Cover: Inside: CME35H foam covered with fabric  
Outside: layer of felt covered with fabric
-  Flat Packed
-  Light Panel  
Bicolor

---

## Acoustics



Absorption



Attenuation

---

## Content

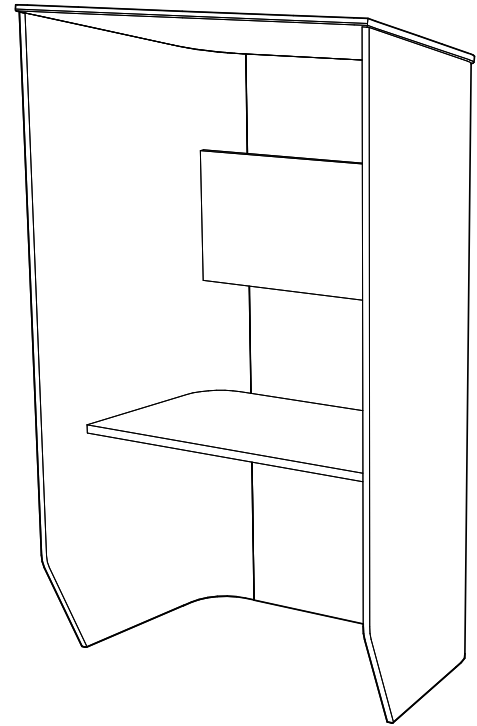
|                               |    |
|-------------------------------|----|
| Configurations                | 3  |
| Pattern                       | 6  |
| Fabrics                       | 6  |
| Dimensions                    | 7  |
| Dimensions Worktop            | 11 |
| Option BackLight / LightPanel | 13 |

# Configurations

---

## BuzziBooth Single

- Single
  - Pattern: Inside: 3D Rib | Diamond
  - Outside: Flat
  - Worktop upholstered
  
- Core: Poplar plywood: 18 mm | 0.71"
- Cover: Inside: CME35H foam covered with fabric
  - Outside: layer of felt covered with Fabric, Rough, Trevira CS+, Memory 2
  
- Standard: Height: 216 cm | 85.04"
  - Width: 129 cm | 50.79"
  - Depth: 120 cm | 47.24"
- Lightboard: Height: 43,5 cm | 17.13"
  - Width: 93 cm | 36.61"
- Packaging: Height: 142,5 cm | 56.10"
  - Width: 44 cm | 17.32"
  - Depth: 228,5 cm | 89.96"
  
- Booth: 88 kg | 194.01 lbs
  - Packaging (including Booth): 120,5 kg | 265.66 lbs
  
- LightPanel EU/ US/ UK (optional)
- Worktop Antwerp Oak
- Worktop Antwerp Oak cable tray
- Worktop White Laminate



---

## BuzziBooth Side by Side

Side by Side



Pattern: Inside: 3D Rib | Diamond  
Outside: Flat

Worktop upholstered



Core: Poplar plywood: 18 mm | 0.71"

Cover: Inside: CME35H foam covered with fabric.

Outside: layer felt covered with Fabric, Rough,  
Trevira CS+, Memory 2

Standard: Height: 216 cm | 85.04"

Width: 240 cm | 94.49"

Depth: 120 cm | 47.24"



Lightboard: Height: 43,5 cm | 17.13"

Width: 203,6 cm | 80.16"

Packaging: Height: 204,5 cm | 80.51"

Width: 44 cm | 17.32"

Depth: 251,5 cm | 99.02



Booth Side by Side: 131 kg | 288.81 lbs

Packaging (including Booth Side of Side): 186 kg | 410.06 lbs

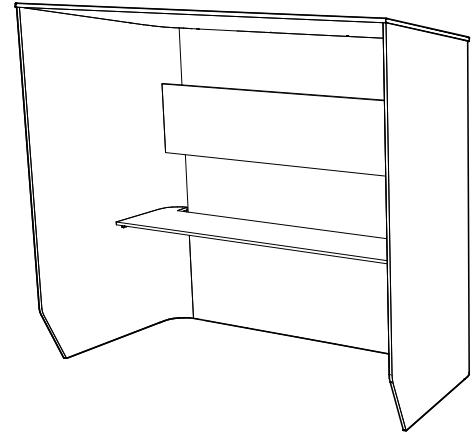
LightPanel EU/ US/ UK (optional)

Worktop Antwerp Oak



Worktop Antwerp Oak cable tray

Worktop White Laminate



---

## BuzziBooth Standing

Standing



Pattern: Inside: 3D Rib | Diamond  
Outside: Flat

Worktop upholstered



Core: Poplar plywood: 18 mm | 0.71"

Cover: Inside: CME35H foam covered with fabric

Outside: layer felt covered with Fabric, Rough,  
Trevira CS+, Memory 2

Standard: Height: 234 cm | 92.13"

Width: 129 cm | 50.79"

Depth: 120 cm | 47.24"



Lightboard: Height: 43,5 cm | 16.93"

Width: 93 cm | 36.61"

Packaging: Height: 204,5 cm | 80.51"

Width: 44 cm | 17.32"

Depth: 251,5 cm | 99.02"



Standard: 96 kg | 211.64 lbs

Lightboard: 4,8 kg | 10.58 lbs

Packaging (including Booth Standing): 147 kg | 324.08 lbs

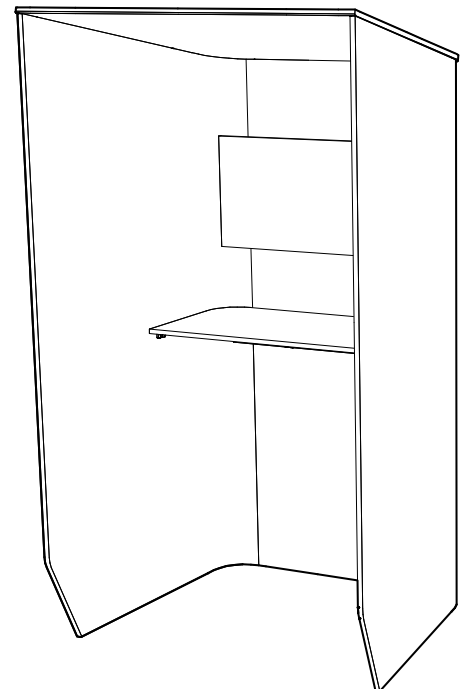
LightPanel EU/ US/ UK (optional)

Worktop Antwerp Oak



Worktop Antwerp Oak cable tray

Worktop White Laminate



---

## BuzziBooth Targa

Targa Small | Medium | Large  
◆ Pattern: Inside: 3D Rib | Diamond  
Outside: Flat

Core: Poplar plywood: 18 mm | 0.71"  
Cover: Inside: CME35H foam covered with fabric

🌲 Outside: layer of felt covered with fabric  
H 120: Fabric, Rough, Trevira CS+ | CS, Revive 1, Revive 2, Terra, Clara 2, Remix 2, Hero, Tonus 4, Tonus Meadow, Memory 2, Matrix  
H 135: Fabric, Rough, Trevira CS+, Memory 2

Standard: Height: 120 or 135 cm | 47.27" or 53.15"

Width: S: 130 cm | 51.18"

M: 170 cm | 66.93"

L: 210 cm | 82.68"

Depth: 115 cm | 47.24"

✂ Packaging: Height: S: 130 cm | 51.18"

M: 170 cm | 66.93"

L: 210 cm | 82.68"

Width: 80 cm | 31.50"

Depth: 120 cm | 47.24"

Booth Targa: S: 59 kg | 130.07 lbs

M: 69 kg | 152.12 lbs

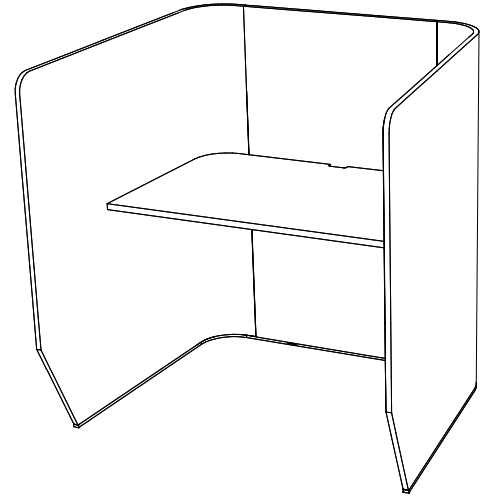
L: 79 kg | 174.17 lbs

⚖ Packaging (including Booth Targa): S: 89 kg | 196.21 lbs  
M: 99 kg | 218.26 lbs  
L: 109 kg | 240.30 lbs

Worktop Antwerp Oak

Worktop Antwerp Oak cable tray

••• Set of 6~8 alu brackets for customer own worktop  
BackLight EU/ US/ UK (optional in combination with worktop oak with cabletray)



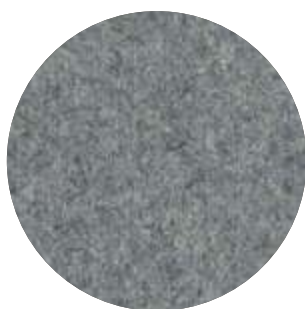
# Pattern



Pattern inside: 3D Rib or Diamond

# Fabrics

## Fabric



**Category A**

**Composition** 70% Recycled Wool, 25% Recycled Polyacryl,  
5% Recycled Other Fabrics

**Weight** 405 g/m<sup>2</sup> | 11.94 oz/yd<sup>2</sup>

**Abrasion resistance** 40.000 Martindale, 50,000 Wyzenbeek

**Flammability** EU: EN 1021.1/2006 | BS EN 1021.1/2006 (cigarette).  
EN 1021.2/2006 | BS EN 1021.2/2006 (match)  
USA: CAL TB 117 | ASTM E84 CLASS A

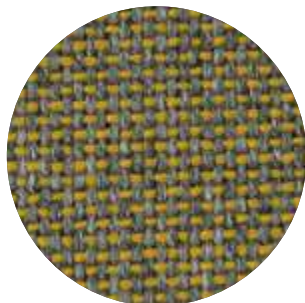
**Fastness to light** EU: 4 | USA 4

**Fastness to rubbing** EU: Wet 3-4 | Dry 4-5

**Fastness to crocking** USA: Wet 5 | Dry 5



## Rough



**Category A**

**Composition** 100% Polyacryl

**Weight** 456 g/m<sup>2</sup> | 13.45 oz/yd<sup>2</sup>

**Abrasion resistance** 40.000 Martindale

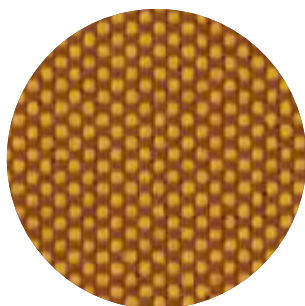
**Flammability** EU: EN 1021.1/2006 | BS EN 1021.1/2006 (cigarette)  
USA: CAL TB TB 117

**Fastness to light** EU: 5

**Fastness to rubbing** EU: Wet: 3 | Dry: 3



## Trevira CS+ | CS



**Category A**

**Weight** 420 g/m<sup>2</sup> | 12.39 oz/yd<sup>2</sup>

**Composition** 100% Polyester, Trevira CS

**Abrasion resistance** 100.000 Martindale, 90,000 Wyzenbeek

**Flammability** BS 5852 part II: CRIB 5 | BS 7176 Medium Hazard  
USA: CAL TB 117 | M1 | B1 | EN 1021/1-2 | C1 |  
IMO Res. A652 (16)

**Fastness to light** EU: 6 | USA 5

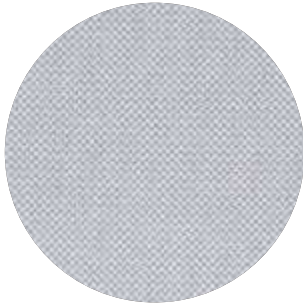
**Fastness to rubbing** EU: Wet 4-5 | Dry 4-5

**Fastness to crocking** USA: Wet 5 | Dry 5



## Revive 1

kvadrat



**Category A**

**Composition** 100% recycled polyester FR

**Weight** 430 g/lin.m

**Abrasion resistance** 60.000 Martindale rubs, EN ISO 12947

**Flammability** EN 1021-1/2 | DIN 4102 B1 | Önorm B1/Q1

UNI 9175 1IM | US Cal. Tech. Bull. 117

IMO A.652 (16)

**Fastness to light** Note 5-7, ISO 105-B02

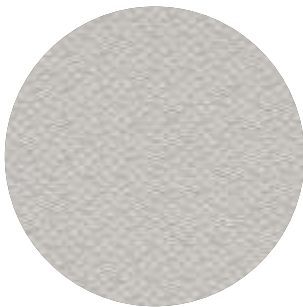
**Fastness to rubbing** (ISO) dry 5, wet 4-5

**Pilling** Note 4-5, EN ISO 12945



## Revive 2

kvadrat



**Category A**

**Composition** 100% recycled polyester FR

**Weight** 420 g/lin.m

**Abrasion resistance** 45.000 Martindale rubs, EN ISO 12947

**Flammability** EN 1021-1/2 | DIN 4102 B1 | Önorm B1/Q1

UNI 9175 1IM | US Cal. Tech. Bull. 117

IMO A.652 (16)

**Fastness to light** Note 5-7, ISO 105-B02

**Fastness to rubbing** (ISO) dry 5, wet 4-5

**Pilling** Note 4-5, EN ISO 12945



## Terra



**Category B**

**Composition** 100% Pure New Wool

**Weight** 370 g/m<sup>2</sup> | 10.91 oz/yd<sup>2</sup>

**Abrasion resistance** 40.000 Martindale, 25,000 Wyzenbeek

**Flammability** EU: BS5852 CRIB 5 | BS5867 PART 2 : 2008 : TYPE B

EN: 1021.2/2006 | USA: CAL TB 117

**Fastness to light** EU 5 | USA 5

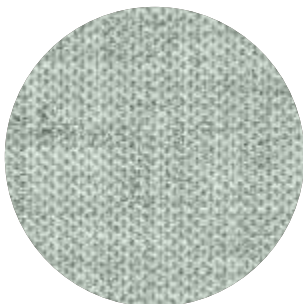
**Fastness to rubbing** EU: Wet 4 | Dry 4

**Fastness to crocking** USA: Wet 4 | Dry 4



## Clara 2

kvadrat



**Category B**

**Composition** 92% new wool, 8% nylon

**Weight** 400 g/lin.m

**Abrasion resistance** 80.000 Martindale rubs, EN ISO 12947

**Flammability** EN 1021-1/2 | BS 5852, ignition source 2-3 | DIN 4102 B2

NF D 60 013 | UNI 9175 1IM | US Cal. Tech. Bull. 117, Sec. E

NFPA 260 | IMO A.652(16)

**Fastness to light** Note 5-7, ISO 105-B02

**Fastness to rubbing** (ISO) dry 4-5, wet 4

**Pilling** Note 4, EN ISO 12945



## Remix 2

kvadrat



**Category B**

**Composition** 90% new wool, 10% nylon

**Weight** 415 g/lin.m

**Abrasion resistance** 100.000 Martindale rubs, EN ISO 12947

**Flammability** EN 1021-1/2 | BS 5852 part 1

Önorm B1/Q1 | NF D 60 013 | UNI 9175, 1IM

AS/NZS 1530.3 | Cal. Tech. Bull. 117-2013

NFPA 260 | IMO FTP Code 2010:Part 8

**Fastness to light** Note 5-7, ISO 105-B02

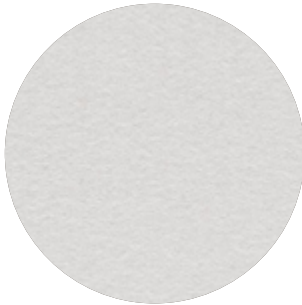
**Fastness to rubbing** (ISO) dry 4-5, wet 4

**Pilling** Note 4, EN ISO 12945



## Hero

kvadrat



**Category C**

**Composition** 96% new wool, 4% nylon

**Weight** 580 g/lin.m

**Abrasion resistance** 45.000 Martindale rubs, EN ISO 12947

**Flammability** EN 1021-1/2 | DIN 4102 B2 | NF D 60 013

UNI 9175 1IM | US Cal. Bull. 117-2013 | NFPA 260

IMO A.652 (16)

**Fastness to light** Note 5-6, ISO 105-B02

**Fastness to rubbing** (ISO) dry 4-5, wet 4-5

**Pilling** Note 3-4, EN ISO 12945



## Tonus 4

kvadrat



**Category D**

**Composition** 90% new wool, 10% Helanca

**Weight** 665 g/lin.m

**Abrasion resistance** 100.000 Martindale rubs, EN ISO 12947

**Flammability** EN 1021-1/2 | BS 5852 part 1 | DIN 4102 B2

Önorm B1/Q1 | NF D 60 013 | UNI 9175 1IM

US Cal. Bull. 117-2013 | NFPA 260 | IMO A.652 (16)

**Fastness to light** Note 5-7, ISO 105-B02

**Fastness to rubbing** (ISO) dry 3-5, wet 3-5

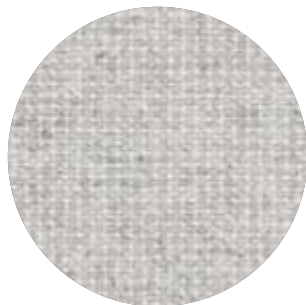
**Pilling** Note 3, EN ISO 12945





## Tonus Meadow

kvadrat



**Category** D

**Composition** 90% new wool, 10% Helanca

**Weight** 665 g/lin.m

**Abrasion resistance** 100.000 Martindale rubs, EN ISO 12947

**Flammability** EN 1021-1/2 | BS 5852 part 1 | DIN 4102 B2

Önorm B1/Q1 | NF D 60 013 | UNI 9175 11M

US Cal. Bull. 117-2013 | NFPA 260 | IMO A.652 (16)

**Fastness to light** Note 5-7, ISO 105-B02

**Fastness to rubbing** (ISO) dry 4-5, wet 4

**Pilling** Note 3, EN ISO 12945



## Memory 2

kvadrat



**Category** E

**Composition** 100% Trevira CS

**Weight** 700 g/lin.m

**Abrasion resistance**

35.000 rubs acc. to the Martindale method, EN ISO 12947

**Flammability** EN 1021-1/2 | DIN 4102 B1 | Önorm B1/Q1

NF D 60 013 | NF P 92 507 M1 | UNI 9175 11M

UNI 9177 classe 1 | US Cal. Tech. Bull. 117

IMO A.652 (16)

**Fastness to light** Note 5-8, ISO 105-B02

**Fastness to rubbing** (ISO) dry 4-5, wet 4-5

**Pilling** Note 4, EN ISO 12945



## Matrix

kvadrat



**Category** F

**Composition** 100% Trevira CS

**Weight** 760 g/lin.m

**Abrasion resistance**

App. 60.000 rubs acc. to the Martindale method, EN ISO 12947

**Flammability** EN 1021-1/2 | BS 5852 crib 5 | BS 5867 part 2 type B

DIN 4102 B1 | Önorm B1/Q1 | NF D 60 013

UNI 9175 11M | US Cal. Tech. Bull. 117 | NFPA 701

IMO A.652 (16)

**Fastness to light** Note 5-7, ISO 105-B02

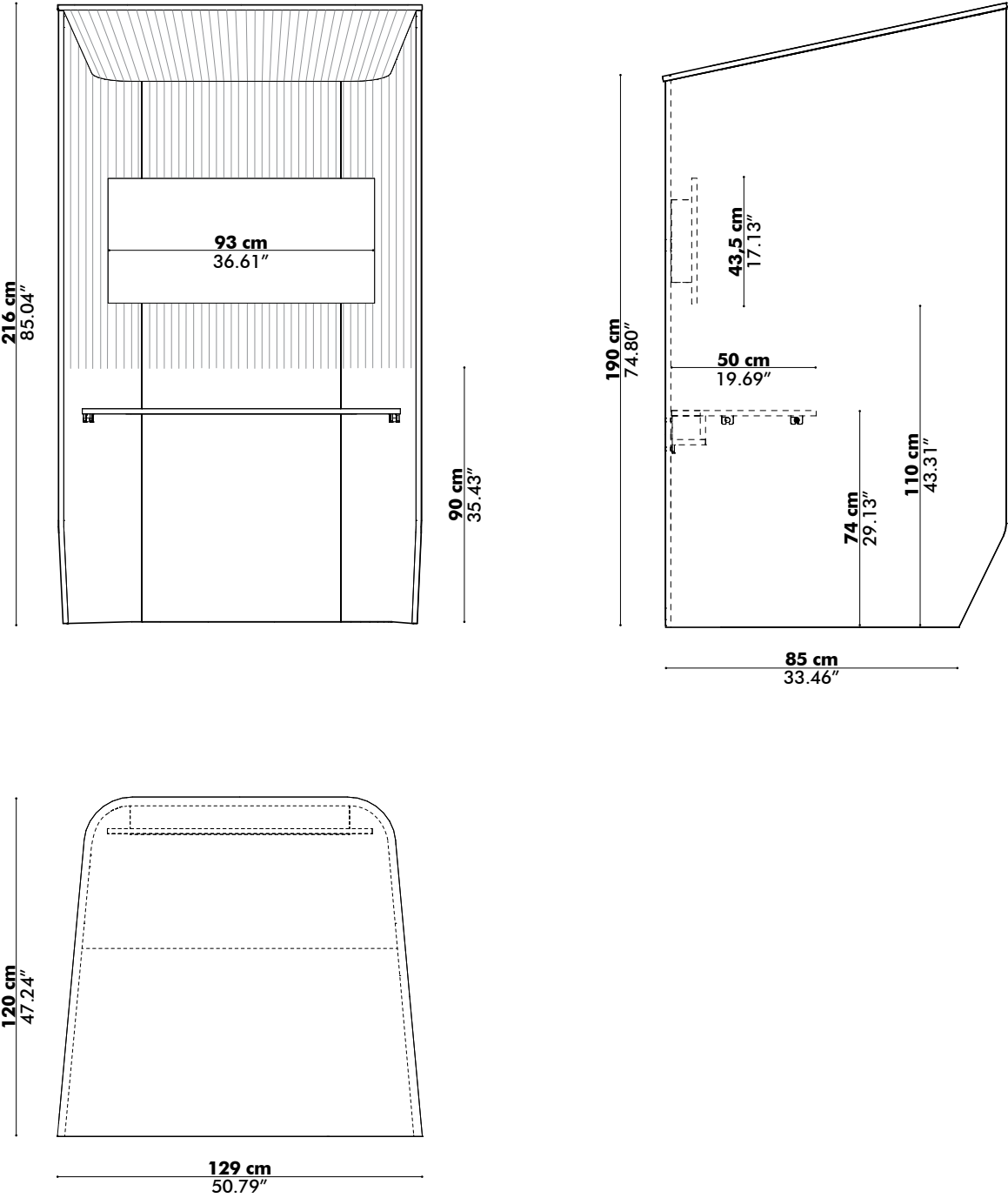
**Fastness to rubbing** (ISO) dry 4-5, wet 4-5

**Pilling** Note 4, EN ISO 12945

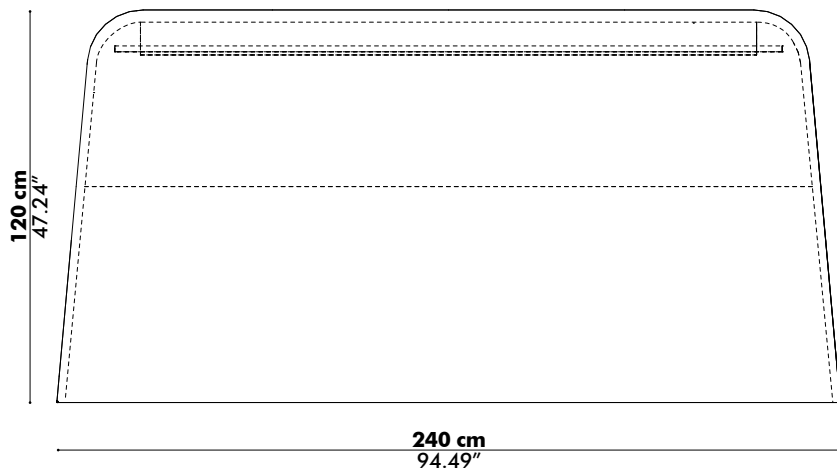
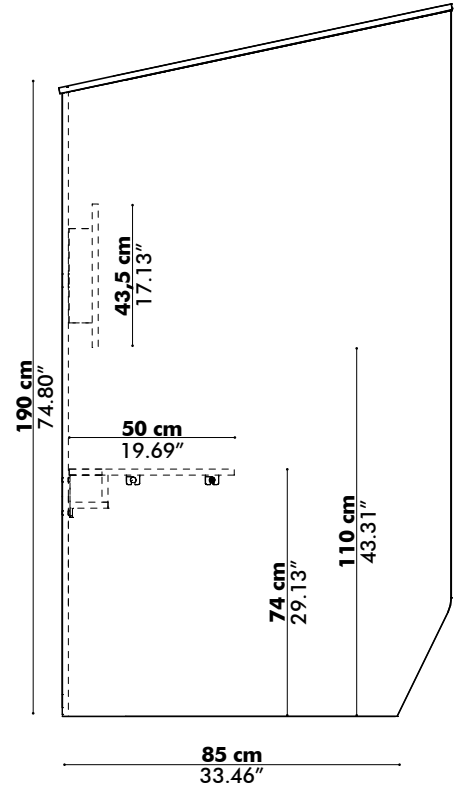
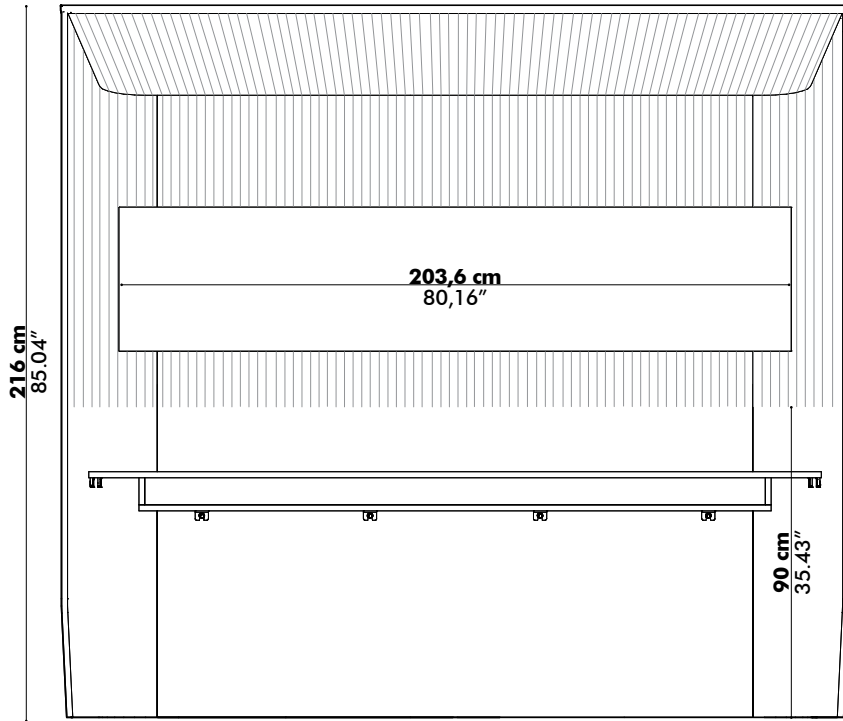


# Dimensions

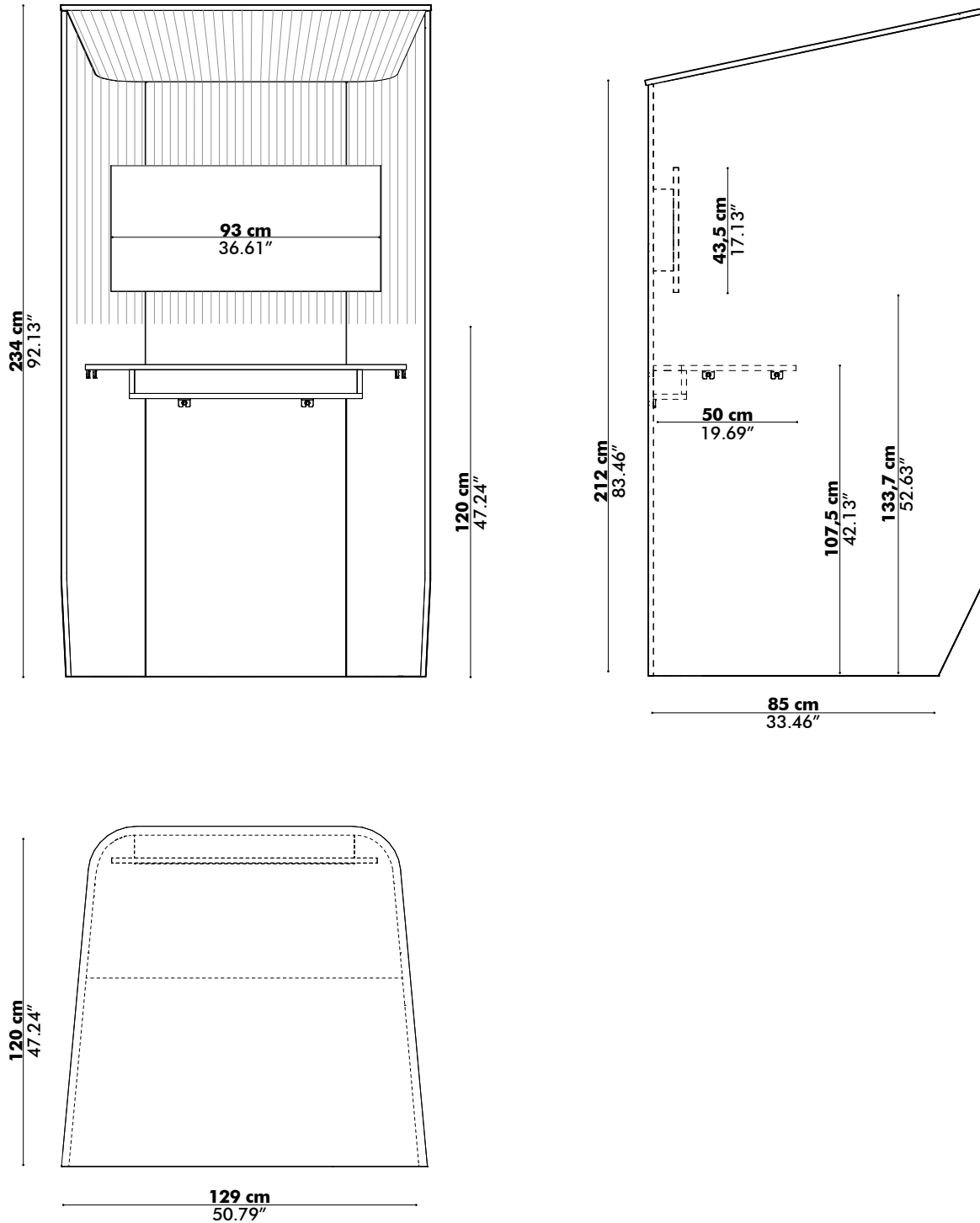
## BuzziBooth Single



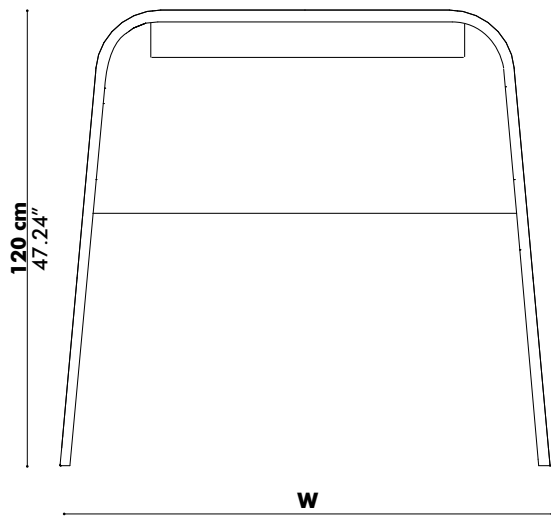
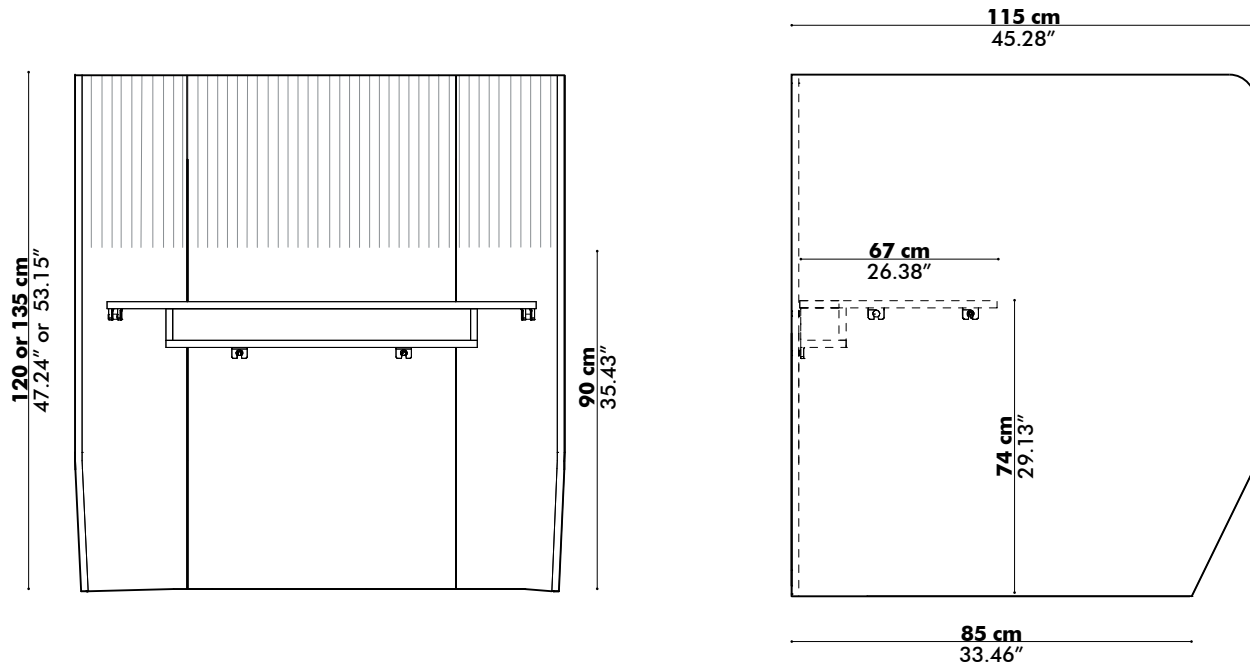
# BuzziBooth Side by Side



# BuzziBooth Standing



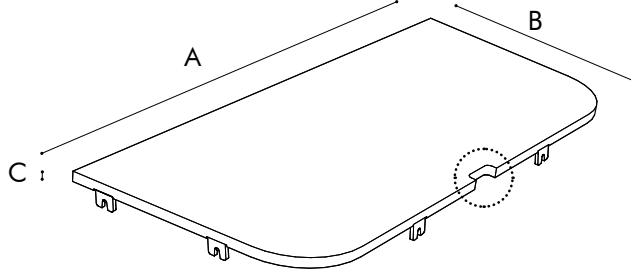
# BuzziBooth Targa



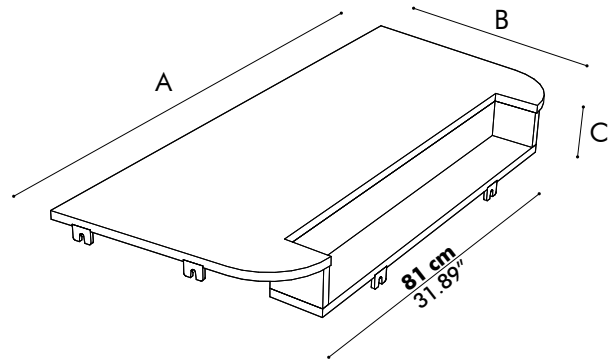
|                  | Small            | Medium           | Large            |
|------------------|------------------|------------------|------------------|
| <b>W = Width</b> | 130 cm<br>51.18" | 170 cm<br>66.93" | 210 cm<br>82.68" |

# Dimensions Worktop

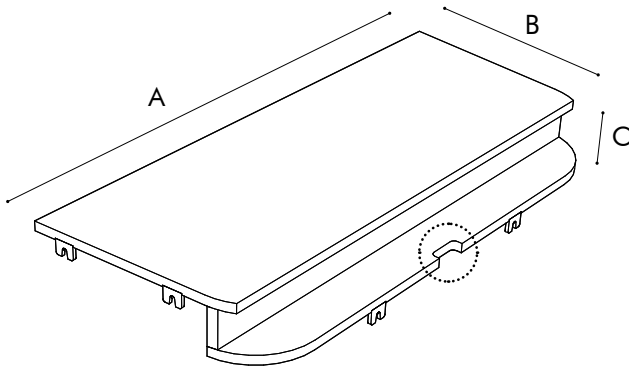
Worktop in Antwerp Oak | White Laminate  
without cabletray



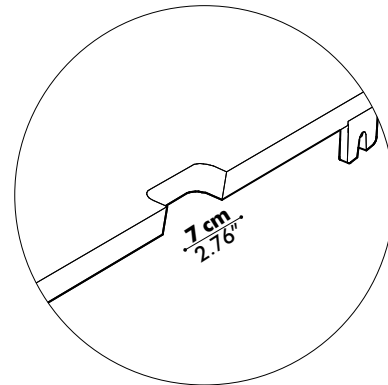
Upholstered worktop with cabletray  
(Not for Targa)



Worktop in Antwerp Oak  
with cabletray



Detail



## BuzziBooth Single | Standing

|   | 'A' Width        | 'B' Depth       | 'C' Height     | Weight               |
|---|------------------|-----------------|----------------|----------------------|
| <b>Upholstered worktop with cabletray</b>           | 110 cm<br>43.31" | 50 cm<br>19.69" | 12 cm<br>4.72" | 5,4 kg<br>11.90 lbs  |
| <b>Worktop in White Laminate- without cabletray</b> | 110 cm<br>43.31" | 50 cm<br>19.69" | 2 cm<br>0.79"  | 7,6 kg<br>16.76 lbs  |
| <b>Worktop in Antwerp Oak without cabletray</b>     | 110 cm<br>43.31" | 50 cm<br>19.69" | 2 cm<br>0.79"  | 8 kg<br>17.64 lbs    |
| <b>Worktop in Antwerp Oak with cabletray</b>        | 110 cm<br>43.31" | 50 cm<br>19.69" | 12 cm<br>4.72" | 10,3 kg<br>22.71 lbs |

## BuzziBooth Side by Side

|  | 'A' Width        | 'B' Depth       | 'C' Height     | Weight               |
|--|------------------|-----------------|----------------|----------------------|
| <b>Upholstered worktop with cabletray</b>            | 220 cm<br>86.61" | 50 cm<br>19.69" | 12 cm<br>4.72" | 10,8 kg<br>23.81 lbs |
| <b>Worktop in White Laminate - without cabletray</b> | 220 cm<br>86.61" | 50 cm<br>19.69" | 2 cm<br>0.79"  | 15,2 kg<br>33.51 lbs |
| <b>Worktop in Antwerp Oak without cabletray</b>      | 220 cm<br>86.61" | 50 cm<br>19.69" | 2 cm<br>0.79"  | 16 kg<br>35.27 lbs   |

## BuzziBooth Targa

|   | 'A' Width                    | 'B' Depth       | 'C' Height     | Weight                            |
|---|------------------------------|-----------------|----------------|-----------------------------------|
| <b>Worktop in Antwerp Oak with cabletray</b>    | <b>S</b><br>110 cm<br>43.31" | 67 cm<br>26.38" | 12 cm<br>4.72" | <b>S</b><br>10,3 kg<br>22.71 lbs  |
|   | <b>M</b><br>150 cm<br>59.06" |                 |                | <b>M</b><br>14,02 kg<br>30.91 lbs |
|   | <b>L</b><br>190 cm<br>74.80" |                 |                | <b>L</b><br>28,04 kg<br>61.82 lbs |
| <b>Worktop in Antwerp Oak without cabletray</b> | <b>S</b><br>110 cm<br>43.31" | 67 cm<br>26.38" | 2 cm<br>0.79"  | <b>S</b><br>8 kg<br>17.64 lbs     |
|   | <b>M</b><br>150 cm<br>59.06" |                 |                | <b>M</b><br>10,88 kg<br>23.99 lbs |
|   | <b>L</b><br>190 cm<br>74.80" |                 |                | <b>L</b><br>21,76 kg<br>47.97 lbs |

# Option BackLight / LightPanel

## General

- 💡 Connectable integrated LED tube
- 🌲 Material: Aluminum body, Clear PC cover
- LED: SMD 3014
- 💡 Color temperature: 3000 Kelvin
- Input Voltage / Frequency: 100 - 277 V 50/60Hz



---

## Certifications

cULus Listed E471267 or ETL Certified  
CE

---

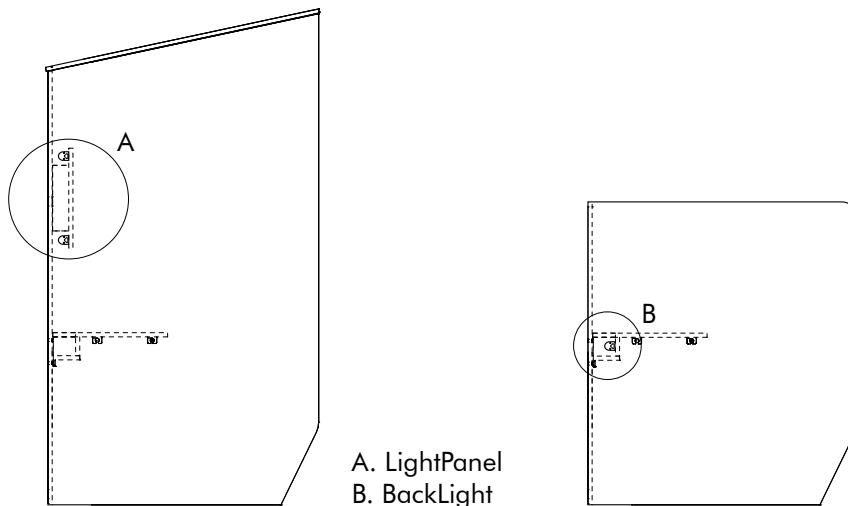
## Specifications per element

Wattage: 7W / element  
Lumen: 700 ±10% / element  
Length: 55,5 cm - 21.85" / element  
1 On-Off switch / element

---

## Accessories

Power cable: White  
4 m – 157.48"  
Type B Plug (US, ... ), Type G Plug (UK, ...) or Schuko Plug (BE, NL,...)  
Mounting clips  
Connector accessories





---

## BuzziBooth

|                            | Single                  | Standing                | Side by side           | Targa                   |                        |                        |
|----------------------------|-------------------------|-------------------------|------------------------|-------------------------|------------------------|------------------------|
|                            |                         |                         |                        | Small                   | Medium                 | Large                  |
| <b>Qty LED tubes</b>       | 2                       | 2                       | 4                      | 1                       | 2                      | 2                      |
| <b>Total wattage</b>       | 14W                     | 14W                     | 28W                    | 7W                      | 14W                    | 14W                    |
| <b>LED tube dimensions</b> | 2x 55,5 cm<br>2x 21.85" | 2x 55,5 cm<br>2x 21.85" | 2x 111 cm<br>2x 43.70" | 2x 55,5 cm<br>2x 21.85" | 2x 111 cm<br>2x 43.70" | 2x 111 cm<br>2x 43.70" |
| <b>Total lumen</b>         | 700 up<br>700 down      | 700 up<br>700 down      | 1400 up<br>1400 down   | 700                     | 1400                   | 1400                   |
| <b>Power cable (4 m)</b>   | 1                       | 1                       | 1                      | 1                       | 1                      | 1                      |
| <b>Configuration</b>       | <b>A</b>                | <b>A</b>                | <b>B</b>               | <b>C</b>                | <b>D</b>               | <b>D</b>               |

---

## Configurations

- A** Two LED tube elements linked by a 50 cm - 19.69" connection cable, located behind the light panel, positioned on top and bottom of the light panel. LED tubes are pre-installed onto the light panel.
- B** Two LED tube elements connected with a connector create a double length LED tube. Two double length LED tubes are linked by a 50 cm - 19.69" connection cable, located behind the light panel, positioned at the top and bottom of the light panel. LED tubes are pre-installed onto the light panel.
- C** A LED tube element located inside the cable tray. LED tube needs to be installed by the customer.
- D** Two LED tube elements connected with a connector create a double length LED tube, located inside the cable tray. LED tube needs to be installed by the customer.