

Kinesit

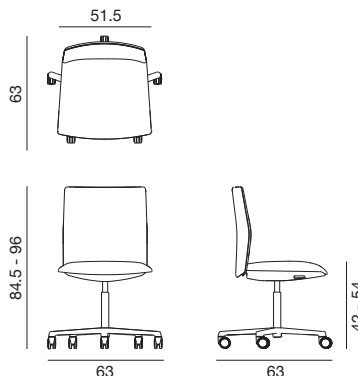
Design by Lievore Altherr Molina, 2014

Art. 4805

Chair with polished or powder coated aluminum 5 way swivel base on castors (available for hard and soft floors, color matching with base), fitted with gas-lift mechanism for height adjustment. Seat with built-in self-tensioning weight response mechanism, backrest with 3-position recline, adjustable lumbar support breathing up to 60 mm. Low backrest with visible backshell (available in black or white), with front in nylon mesh in matching color. Seat upholstered in leather, customer's leather, faux leather, fabric or customer's fabric. Fixed or adjustable armrests in nylon fiber, color matching with backshell, are available upon request and with a surcharge.



Dimensions *



* File CAD 2D - 3D available for download at www.arper.com

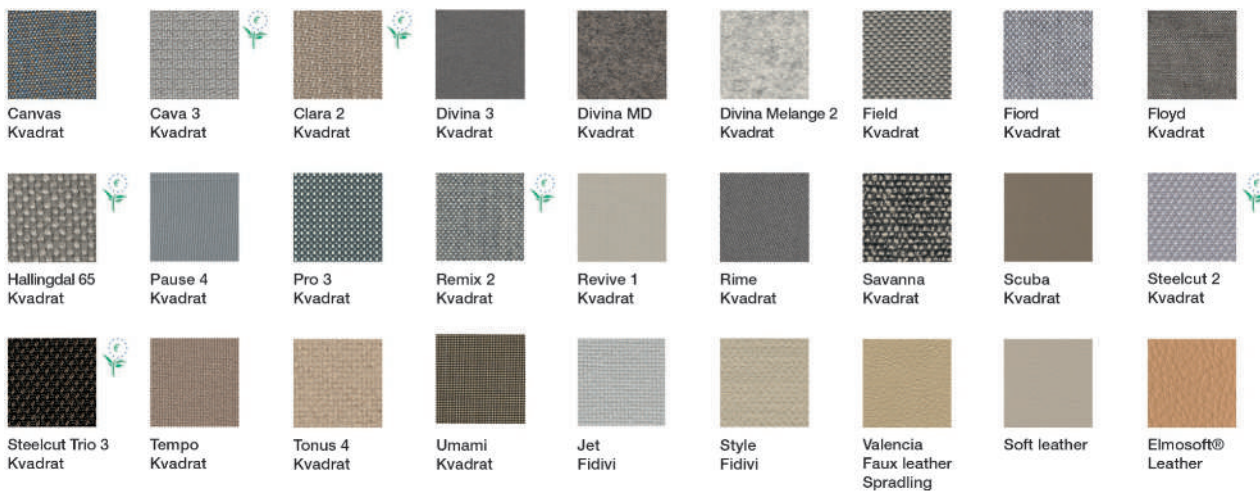
Frame Base



arper

Shell

Carded In



Graded In

kvadrat

camira



DESIGN
TEX



Gabriel



svensson

maharam

Serge Ferrari

Kinesit

Design by Lievore Altherr Molina, 2014



Armrest 2D



Armrest

SHIPMENT DETAILS

Art.4805

1 pz = 1  - kg 21/ m³ 0,4

TECHNICAL SPECIFICATIONS

Art.4805

COL requirement m² 0.78

H 140 cm. COM Meterage ml 0.72

RESISTANCE TEST

- ANSI/BIFMA X5.1-2011/10
- ANSI/BIFMA X5.1-2011/12
- ANSI/BIFMA X5.1-2011/14
- ANSI/BIFMA X5.1-2011/17
- ANSI/BIFMA X5.1-2011/5
- ANSI/BIFMA X5.1-2011/8
- EN 1335-3:2009 7.1
- EN 1335-3:2009 7.2.2
- EN 1335-3:2009 7.2.4
- EN 1335-3:2009 7.3.1
- EN 1335-3:2009 7.3.3
- EN 1335-3:2009 4.1
- ANSI/BIFMA X5.1-2011/11
- ANSI/BIFMA X5.1-2011/13
- ANSI/BIFMA X5.1-2011/16
- ANSI/BIFMA X5.1-2011/21
- ANSI/BIFMA X5.1-2011/6
- ANSI/BIFMA X5.1-2011/9
- EN 1335-3:2009 7.2.1
- EN 1335-3:2009 7.2.3
- EN 1335-3:2009 7.2.5
- EN 1335-3:2009 7.3.2
- EN 1335-3:2009 7.3.5

FIRE RETARDANT TEST

ENVIRONMENTAL CERTIFICATIONS



arper

F +39 0422 791800

T +39 0422 7918

www.arper.com

Kinesit

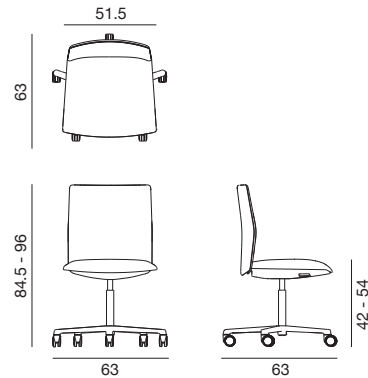
Design by Lievore Altherr Molina, 2014

Art. 4811

Chair with polished or powder coated aluminum 5 way swivel base on castors (available for hard and soft floors, color matching with base), fitted with gas-lift mechanism for height adjustment. Seat with built-in self-tensioning weight response mechanism, backrest with 3-position recline, adjustable lumbar support breathing up to 60 mm. Low backrest with visible backshell (available in black and white) and front back and seat upholstered in leather, customer's leather, faux leather, fabric or customer's fabric. Fixed or adjustable armrests in nylon fiber, color matching with backshell, are available upon request and with a surcharge. Back and seat can be ordered in different colors of the same upholstery, with a surcharge.



Dimensions *



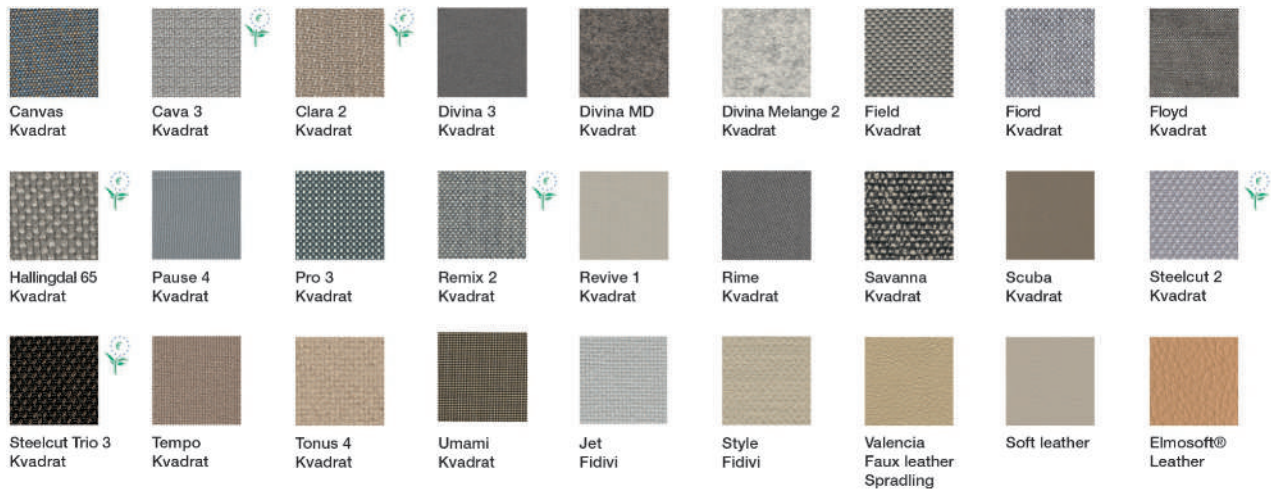
* File CAD 2D - 3D available for download at www.arper.com

Frame Base



Shell

Carded In



Graded In



Kinesit

Design by Lievore Altherr Molina, 2014



Armrest 2D



Armrest

SHIPMENT DETAILS

Art.4811

1 pz = 1  - kg 21/ m³ 0,4

TECHNICAL SPECIFICATIONS

Art.4811

COL requirement m² 1.58

H 140 cm. COM Meterage ml 0.72

RESISTANCE TEST

- ANSI/BIFMA X5.1-2011/10
- ANSI/BIFMA X5.1-2011/12
- ANSI/BIFMA X5.1-2011/14
- ANSI/BIFMA X5.1-2011/17
- ANSI/BIFMA X5.1-2011/5
- ANSI/BIFMA X5.1-2011/8
- EN 1335-3:2009 7.1
- EN 1335-3:2009 7.2.2
- EN 1335-3:2009 7.2.4
- EN 1335-3:2009 7.3.1
- EN 1335-3:2009 7.3.3
- EN 1335-3:2009 4.1
- ANSI/BIFMA X5.1-2011/11
- ANSI/BIFMA X5.1-2011/13
- ANSI/BIFMA X5.1-2011/16
- ANSI/BIFMA X5.1-2011/21
- ANSI/BIFMA X5.1-2011/6
- ANSI/BIFMA X5.1-2011/9
- EN 1335-3:2009 7.2.1
- EN 1335-3:2009 7.2.3
- EN 1335-3:2009 7.2.5
- EN 1335-3:2009 7.3.2
- EN 1335-3:2009 7.3.5

FIRE RETARDANT TEST

ENVIRONMENTAL CERTIFICATIONS



arper

F +39 0422 791800

T +39 0422 7918

www.arper.com

Kinesit

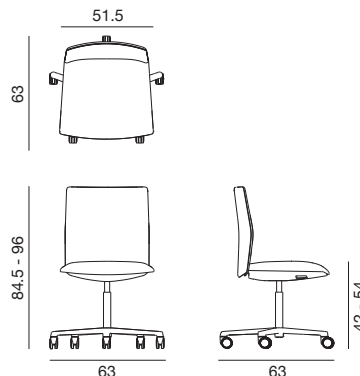
Design by Lievore Altherr Molina, 2014

Art. 4817

Chair with polished or powder coated aluminum 5 way swivel base on castors (available for hard and soft floors, color matching with base), fitted with gas-lift mechanism for height adjustment. Seat with built-in self-tensioning weight response mechanism, backrest with 3-position recline, adjustable lumbar support breathing up to 60 mm. Back and seat completely upholstered in leather, customer's leather, faux leather, fabric or customer's fabric. Fixed or adjustable armrests in nylon fiber, color matching with backshell, are available upon request and with a surcharge. Back and seat can be ordered in different colors of the same upholstery, with a surcharge.



Dimensions *



* File CAD 2D - 3D available for download at www.arper.com

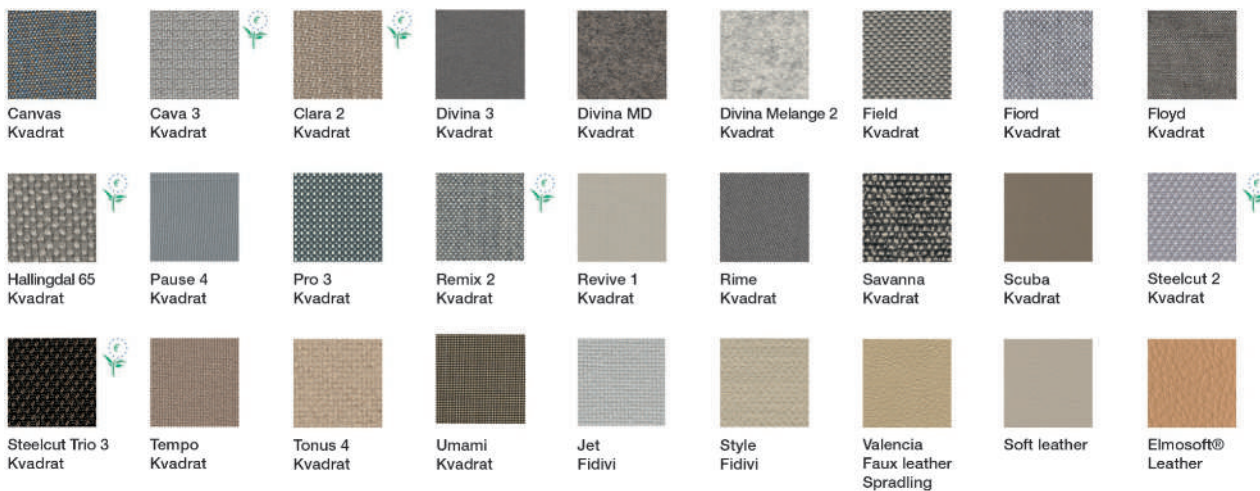
Frame Base



arper

Shell

Carded In



Graded In



Kinesit

Design by Lievore Altherr Molina, 2014



Armrest 2D



Armrest

SHIPMENT DETAILS

Art.4817

1 pz = 1  - kg 21/ m³ 0,4

TECHNICAL SPECIFICATIONS

Art.4817

COL requirement m² 2.38

H 140 cm. COM Meterage ml 1.38

RESISTANCE TEST

- ANSI/BIFMA X5.1-2011/10
- ANSI/BIFMA X5.1-2011/12
- ANSI/BIFMA X5.1-2011/14
- ANSI/BIFMA X5.1-2011/17
- ANSI/BIFMA X5.1-2011/5
- ANSI/BIFMA X5.1-2011/8
- EN 1335-3:2009 7.1
- EN 1335-3:2009 7.2.2
- EN 1335-3:2009 7.2.4
- EN 1335-3:2009 7.3.1
- EN 1335-3:2009 7.3.3
- EN 1335-3:2009 4.1
- ANSI/BIFMA X5.1-2011/11
- ANSI/BIFMA X5.1-2011/13
- ANSI/BIFMA X5.1-2011/16
- ANSI/BIFMA X5.1-2011/21
- ANSI/BIFMA X5.1-2011/6
- ANSI/BIFMA X5.1-2011/9
- EN 1335-3:2009 7.2.1
- EN 1335-3:2009 7.2.3
- EN 1335-3:2009 7.2.5
- EN 1335-3:2009 7.3.2
- EN 1335-3:2009 7.3.5

FIRE RETARDANT TEST

ENVIRONMENTAL CERTIFICATIONS



arper

F +39 0422 791800

T +39 0422 7918

www.arper.com